



# Standard Test Methods for Measurement of Extreme Pressure Properties of Fluid Lubricants (Falex Pin and Vee Block Methods)<sup>1</sup>

This standard is issued under the fixed designation D 3233; the number immediately following the designation indicates the year of original adoption or, in the case of revision, the year of last revision. A number in parentheses indicates the year of last reapproval. A superscript epsilon ( $\epsilon$ ) indicates an editorial change since the last revision or reapproval.

## 1. Scope

1.1 These test methods cover two procedures for making a preliminary evaluation of the load-carrying properties of fluid lubricants by means of the Falex Pin and Vee Block Test Machine.

NOTE 1—Additional information can be found in Appendix X1 regarding coefficient of friction, load gage conversions, and load gage calibration curve.

1.2 The values stated in SI units are to be regarded as standard. Because the equipment used in these test methods is available only in inch-pound units, the SI units are omitted when referring to the equipment and the test specimens.

1.3 *This standard does not purport to address all of the safety concerns, if any, associated with its use. It is the responsibility of the user of this standard to establish appropriate safety and health practices and determine the applicability of regulatory limitations prior to use.*

## 2. Referenced Documents

### 2.1 ASTM Standards:

B 16/B 16M Specification for Free-Cutting Brass, Rod, Bar and Shapes for Use in Screw Machines<sup>2</sup>

D 2670 Test Method for Measuring Wear Properties of Fluid Lubricants (Falex Pen and Vee Block Method)<sup>3</sup>

D 2783 Test Method for Measurement of Extreme-Pressure Properties of Lubricating Fluids (Four-Ball Method)<sup>3</sup>

## 3. Terminology

### 3.1 Definitions of Terms Specific to This Standard:

3.1.1 *actual gage load, n*—the value obtained from the gage while running the test and before any corrections are made.

3.1.1.1 *Discussion*—This gage reading is irrespective of the particular gage used, and corrections are made by comparison to a standard reference.

3.1.2 *direct load, n*—that which is applied linearly, bisecting the angle of the vee block corrected to either the 800 or 3000-lbf gage reference.

3.1.2.1 *Discussion*—This load is equivalent to the true load times the  $\cos 42^\circ$ .

3.1.3 *true load, n*—the sum of the applied forces normal to the tangents of contact between the faces of one vee block and the journal pin corrected to the 4500 lbf gage reference line.

3.1.4 *true load failure value, n*—the true load at which the lubricant tested can no longer support the applied load resulting in either test pin or shear pin breakage, or inability to maintain or increase load.

3.1.4.1 *Discussion*—This value is also referred to as the limit of extreme pressure.

## 4. Summary of Test Methods

4.1 Both test methods consist of running a rotating steel journal at  $290 \pm 10$  rpm against two stationary V-blocks immersed in the lubricant sample. Load is applied to the V-blocks by a ratchet mechanism. In Test Method A (Note 1), increasing load is applied continuously. In Test Method B (Note 1), load is applied in 250-lbf (1112-N) increments with load maintained constant for 1 min at each load increment. In both methods the load-fail value obtained is the criteria for level of load-carrying properties. Both methods require calibration of the load gage and reporting of test results as true (corrected) loads rather than actual gage loads.

NOTE 2—Test Method A is referred to as the Falex Run-Up Test. Test Method B is referred to as the Falex One-Minute Step Test.

## 5. Significance and Use

5.1 Evaluations by both test methods differentiate between fluids having low, medium, and high levels of extreme-pressure properties. The user should establish any correlation between results by either method and service performance.

NOTE 3—Relative ratings by both test methods on the reference fluids covered in Table 1 and Table 2 are in good general agreement with

<sup>1</sup> These test methods are under the jurisdiction of ASTM Committee D02 on Petroleum Products and Lubricants and is the direct responsibility of Subcommittee D02.L0 on Industrial Lubricants.

Current edition approved Aug. 10, 2003. Published September 2003. Originally approved in 1986. Last previous edition approved in 1998 as D 3233–93(1998).

<sup>2</sup> *Annual Book of ASTM Standards*, Vol 02.01.

<sup>3</sup> *Annual Book of ASTM Standards*, Vol 05.01.

**TABLE 1 Results of Cooperative Tests on Reference Fluids L-XI-1-2-A, B, C, D, E<sup>A</sup>  
(TEST METHOD A)**

Laboratory	Test	L-XI-1-2-A Fail Load, lbf		L-XI-1-2-B Fail Load, lbf		L-XI-1-2-C Fail Load, lbf		L-XI-1-2-D Fail Load, lbf		L-XI-1-2-E Fail Load, lbf	
		Gage	True	Gage	True	Gage	True	Gage	True	Gage	True
A	1	1200	840	1200	840	4500 +	4100 +	4300	3950	2600	2100
	2	1275	920	1275	920	4500 +	4100 +	4500 +	4100 +	2400	1925
B	1	800	860	1000	1050	4500 +	4250 +	4100	3900	2050	2050
	2	850	900	950	1025	4500 +	4250 +	4300	4100	1950	1950
C	1	725	990	775	1020	4500 +	3200 +	3950	2900	1350	1460
	2	650	910	750	980	4500 +	3200 +	4100	3000	1300	1430
D	1	1400	1050	1100	770	4500 +	3500 +	4500 +	3500 +	2900	2150
	2	1400	1050	1250	900	4500 +	3500 +	4500 +	3500 +	2650	1975
E	1	825	900	1000	1060	4450	4500 +	4100	4475	1825	1970
	2	750	820	925	1000	4450	4500 +	4150	4500	1825	1970
F	1	1000 <sup>B</sup>	920 <sup>B</sup>	1000	800	4500 +	4500 +	3500	4500	1850	1900
	2	990 <sup>B</sup>	910 <sup>B</sup>	1050	850	4500 +	4500 +	2900	3510	1720	1720
G	1	800	900	690	800	4000	4275	3325	3625	1430	1600
	2	700	800	660	750	3750	4000	3150	3450	1500	1675
H	1	700	700	1000	1000	4500 +	4500 +	3750	3750	1900	1900
	2	700	700	1000	1000	4500 +	4500 +	4000	4000	1650	1650
I	1	750	600	1250	1000	4500 +	3750 +	4500 +	3750 +	1750	1450
	2	750	600	1000	800	4500 +	3750 +	4500 +	3750 +	1750	1450
Min Avg			600		775				2950 <sup>C</sup>		1445
Max Avg			1050		1037				4488 <sup>C</sup>		2063
Grand Avg			854		920				3809 <sup>C</sup>		1796
		Repeatability s = 0.0624 r = 0.179 (TL) <sup>D</sup>				Reproducibility S = 0.140 R = 0.402 (TL) <sup>D</sup>					

<sup>A</sup> Reference fluids used and described in Test Method D 2783.

<sup>B</sup> Calibration curves shifted.

<sup>C</sup> Six laboratories.

<sup>D</sup> TL = average true load, lbf, of sample tested.

four-ball weld-point relative ratings obtained on these same reference fluids, covered in Test Method D 2783.

## 6. Apparatus

6.1 *Falex Pin and Vee Block Test Machine*,<sup>4</sup> illustrated in Fig. 1, Fig. 2, and Fig. 3, fitted with 4500-lbf (20 000-N) gage or 3000-lbf (13 350-N) gage.

6.2 *Required for Calibration:*

6.2.1 *Allen Screw*, with attached 10-mm Brinnell ball.<sup>5</sup>

6.2.2 *Back-Up Plug*.<sup>5</sup>

6.2.3 *Standard Test Coupon*,<sup>5</sup> soft, annealed copper, Hb 37–39.

6.2.4 *Brinnell Microscope*, or equivalent.

6.2.5 *Timer*, graduated in seconds and minutes.

6.2.6 *Rule*, steel, 6-in. (approximately 150-mm) long.

<sup>4</sup> The Falex Pin and Vee Block Test Machine, available from the Falex Corp., 1020 Airpark Dr., Sugar Grove, IL 60554 has been found satisfactory for this purpose. A new model of this machine has been available since 1983. Certain operating procedures are different for this new model. Consult instruction manual of machine for this information.

<sup>5</sup> Available from Falex Corp., 1020 Airpark Dr., Sugar Grove, IL 60554.

## 7. Reagents and Materials

7.1 *Standard Coined-Blocks*,<sup>5</sup> 96 ± 1° angle, AISI C-1137 steel, HRC 20 to 24, surface finish 5 to 10 µin. (1.3 × 10<sup>-7</sup> to 2.5 × 10<sup>-7</sup>m), rms.

7.2 *Standard Test Journals*,<sup>5</sup> ¼ in. (6.35 mm) outside diameter by 1¼ in. (31.75 mm) long, AISI 3135 steel, HRB 87 to 91 on a ground flat surface, surface finish 5 to 10 µin. (1.3 × 10<sup>-7</sup> to 2.5 × 10<sup>-7</sup> m) rms.

7.3 *Locking Pins*,<sup>5</sup> ½ H brass, conforming to Specification B 16/B 16M.

7.4 *Solvent*, safe, nonfilming, nonchlorinated.

NOTE 4—Petroleum distillate and benzene, formerly used as solvents in this method, have been eliminated due to possible toxic effects. Each user should select a solvent that can meet applicable safety standards and still thoroughly clean the parts.

## 8. Preparation of Apparatus

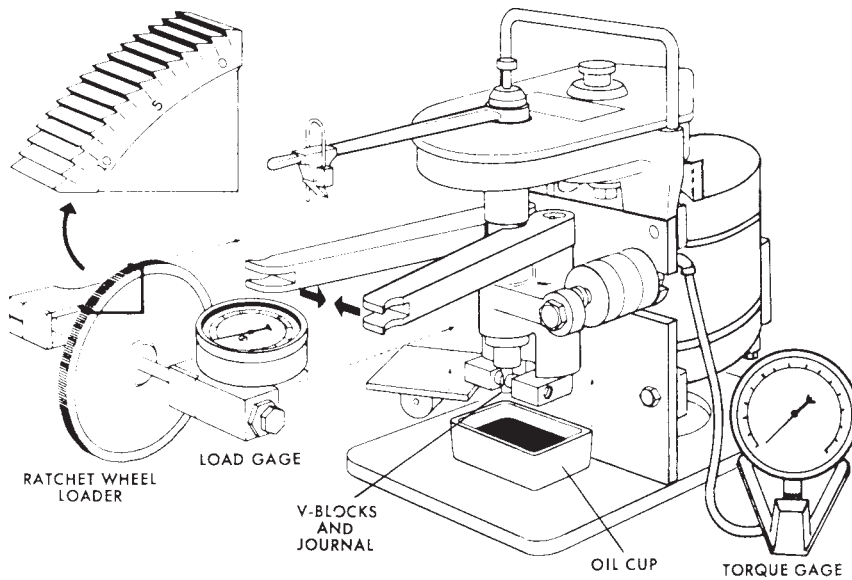
8.1 *Cleaning:*

8.1.1 Thoroughly clean the V-blocks, test journals, lubricant cup, and supports for V-blocks and test journals by washing, successively, with solvent selected in 7.4. Dry the V-blocks, test journals, lubricant cup, and supports by allowing the final solvent to evaporate in air.

**TABLE 2 Results of Cooperative Tests on Reference Fluids L-XI-1-2-A, B, C, D, E<sup>A</sup>  
(TEST METHOD B)**

Laboratory	Test	L-XI-1-2-A Fail Load, lbf		L-XI-1-2-B Fail Load, lbf		L-XI-1-2-C Fail Load, lbf		L-XI-1-2-D Fail Load, lbf		L-XI-1-2-E Fail Load, lbf	
		Gage	True	Gage	True	Gage	True	Gage	True	Gage	True
A	1	1100	750	1400	1000	4150	3750	4350	4000	2750	2250
	2	1100	750	1400	1000	4350	4000	4150	3750	2200	1750
B	1	670	750	940	1000	4200	4000	3900	3750	2000	2000
	2	670	750	670	750	3900	3750	4200	4000	1750	1750
C	1	520	750	520	750	4100 +	3000 +	4100	3000	1750	1750
	2	520	750	790	1000	4100 +	3000 +	4100 +	3000 +	1750	1750
D	1	1600	1250	1080	750	4500 +	3500 +	4500 +	3500 +	3000	2250
	2	1600	1250	1080	750	4500 +	3500 +	4500 +	3500 +	3300	2500
E	1	700	750	925	1000	3850	4250	3850	4250	1380	1500
	2	700	750	925	1000	4150	4500	3650	4000	1850	2000
F	1	1075 <sup>B</sup>	1000 <sup>B</sup>	950	750	3350	4250	3350	4250	1925	2000
	2	1075 <sup>B</sup>	1000 <sup>B</sup>	950	750	3500	4500	3050	3750	1560	1500
G	1	660	750	660	750	3500	3750	3000	3250	1550	1750
	2	660	750	800	1000	3200	3500	2800	3000	1350	1500
H	1	750	750	1000	1000	3500	3500	4250	4250	1500	1500
	2	750	750	1000	1000	4000	4000	4000	4000	1750	1750
I	1	930	750	910	750	4400	3750	4400 +	3750 +	1800	1500
	2	930	750	910	750	4400	3750	4400 +	3750 +	1800	1500
Min Avg		750		750		3625 <sup>C</sup>		3125 <sup>D</sup>		1500	
Max Avg		1250		1000		4375 <sup>C</sup>		4125 <sup>D</sup>		2375	
Grand Avg		833		875		3932 <sup>C</sup>		3837 <sup>D</sup>		1846	
Repeatability						Reproducibility					
$s = 0.0624$						$S = 0.137$					
$r = 0.179 (TL)^E$						$R = 0.391 (TL)^E$					

<sup>A</sup> Reference fluids used and described in Test Method D 2783.  
<sup>B</sup> Calibration curves shifted.  
<sup>C</sup> Seven laboratories.  
<sup>D</sup> Six laboratories.  
<sup>E</sup> TL = average true load, lbf, of sample tested.



**FIG. 1 Schematic Diagram of Falex Standard Pin and Vee Block Test Machine**



FIG. 2 Failex Digital Pin and Vee Block Test Machine

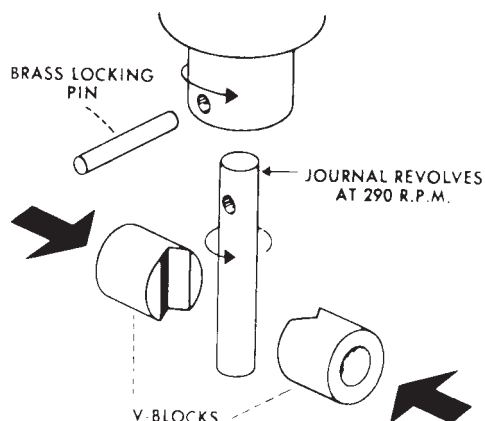


FIG. 3 Exploded View of V-Blocks and Journal Arrangement, Failex Pin and Vee Block Test Machines

Load, lbf (N) (Ordinate)	Diameter, mm (Abscissa)
500 (2224)	2.62
1000 (4450)	3.42
1500 (6672)	4.00
2000 (8896)	4.47

NOTE 5—Fig. 3 shows the true-load calibration curve for the prescribed 4500-lbf (20 000-N) gage, prepared as covered in 9.1. Copies of Fig. 4, 8 by 11 in., are available at a nominal cost from ASTM. Although not originally used in development of these test methods, the 3000-lb direct reading load gage should be satisfactory providing results are corrected and reported with respect to the true load (4500-lbf) reference line. Refer to Test Method D 2670 for calibration of 3000-lb load gage.

### 10. Calibration of Load Gage 4500 lbf (20 000 N)

10.1 Remove the Allen set screw and 1/2-in. (12.70-mm) ball from the left jaw socket (Fig. 5).

10.2 Insert the special Allen screw with the attached 10-mm Brinnell ball into the working face of the left jaw. Adjust so that the ball projects about 5/32 in. (approximately 4 mm) from the face of the jaw.

10.3 Insert the back-up plug in the counterbore of the right-hand jaw. Adjust so that the plug projects about 1/32 in. (approximately 0.8 mm) from the face.

10.4 Support the standard test coupon so that the upper edge of the coupon is about 3/32 in. (approximately 2.5 mm) below the upper surface of the jaws. Place a steel rule across the face of the jaws. Adjust the Allen screw with the attached 10-mm ball until the face of the jaws are parallel to the steel rule with the test coupon in position for indentation.

10.5 With the test coupon in position for the first impression, place the load gage assembly on the level arms. Remove the slack from the assembly by moving the ratchet wheel by hand.

10.6 Place the loading lever on the ratchet wheel and actuate the motor. Allow the motor to run until the load gage indicates a load of 500 lbf (2224 N). A slight take-up on the ratchet wheel is required to hold the load due to the ball sinking into the test coupon. After a 500-lbf (2224-N) load is obtained, hold for 1 min for the indentation to form.

8.1.2 After cleaning, handle the test pieces with care to prevent contamination. Particularly, avoid contact of fingers with mating surfaces of V-blocks and test journals.

#### 8.2 Assembly:

8.2.1 Insert the test journal into the test shaft and secure with a new brass locking pin, as shown in Fig. 1 and Fig. 3.

8.2.2 Insert the V-blocks into the recesses of the loading device and swing the V-blocks inward to contact the journal so that the V-grooves are aligned with the journal major axis, as shown in Fig. 1 and Fig. 3.

8.2.3 Place 60 mL of test lubricant in the lubricant cup and raise the cup so that the V-blocks are immersed in the test lubricant. With highly viscous fluids, open the jaws slightly to ensure that the wear surfaces are covered with the lubricant.

8.2.4 Place the automatic loading device, with attached gage, on the jaw arms.

### 9. Preparation of True Load Calibration Curve

9.1 On log-log paper (K & E 467080 or equivalent) draw a straight-line plot of load, pounds-force (newtons) (ordinate), versus indentation diameter, millimetres (abscissa) using the data points shown below. Label this curve "True Load" (Note 5).

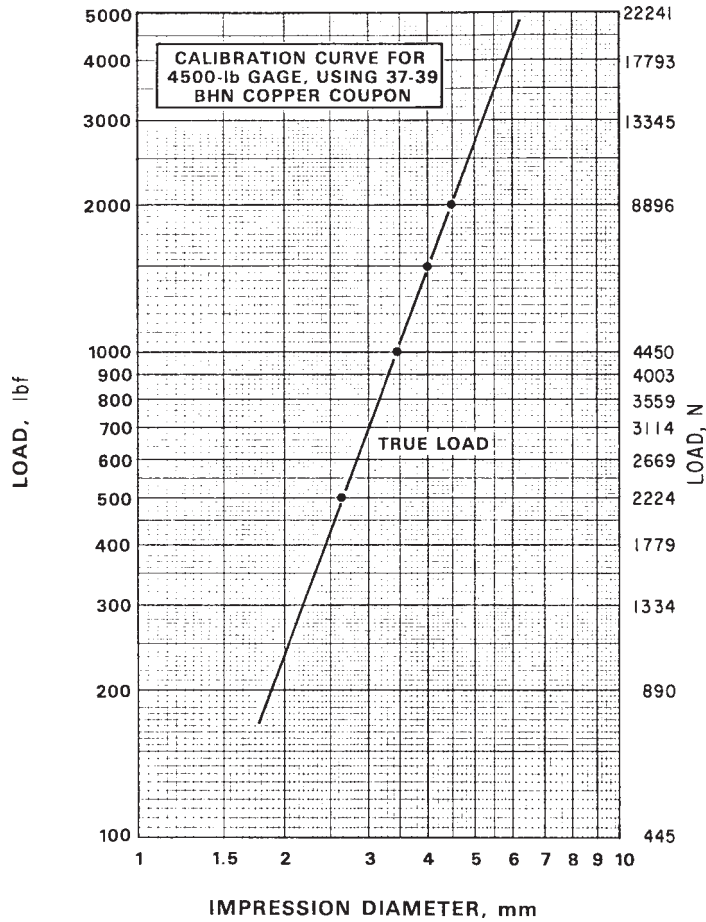


FIG. 4 Calibration Curve for 4500-lb Gage, Using 37-39 HB Copper Coupon

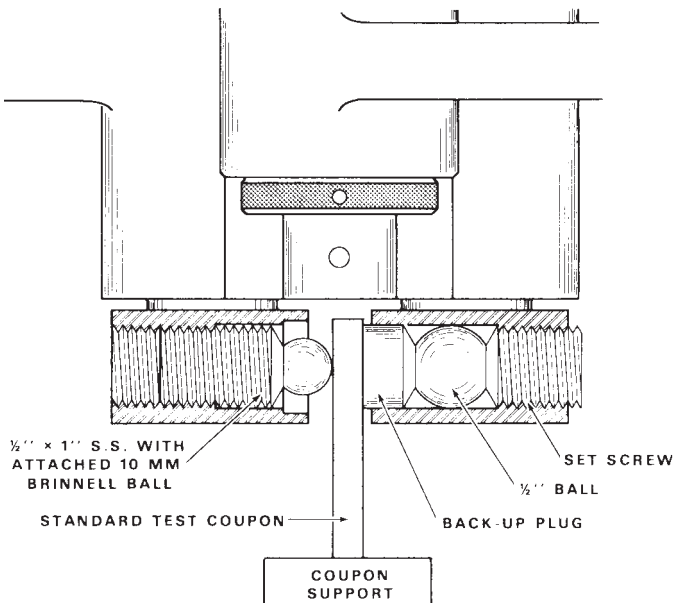


FIG. 5 Schematic Drawing of Calibration Accessories for Falex Pin and Vee Block Test Machines

10.7 Turn off the machine and back off the load until the test coupon is free of the jaws. Advance the test coupon approximately 3/8 in. (approximately 9.5 mm). Additional indentations

should be separated by a minimum distance of 2.5 times the diameter of the initial indentation. Check the alignment of the jaws, and repeat the procedure described in 10.6 at gage loads of 1000, 1500, and 2000 lbf (4448, 6672, and 8896 N).

10.8 Remove the load gage assembly and test coupon and measure the diameter of each indentation to 0.01 mm with a microscope. Make three measurements of the indentation diameter, rotating the test coupon to ensure that no two measurements represent the same points. Average the three measurements of each impression and record.

10.9 Plot the four impression readings on the same log-log plot of true load prepared as prescribed in 9.1 and shown as Fig. 4. Draw a straight line through the four impression readings and label the line "Actual Gage Load."

NOTE 6—Currently, load gages are calibrated at the factory such that the actual 4500-lb gage load is equivalent to true load. Periodic calibrations should be made to ensure correct values are being reported for true load.

TEST METHOD A

11. Determination of Actual Gage Load for Run-In

11.1 The procedure, Section 12, requires a run-in at an actual gage load equivalent to 300-lbf (1334-N) true load (264-lbf direct load). This actual gage load is obtained as follows from the plot of actual gage load and true load prepared in Sections 9 and 10: Locate 300 lbf (1334 N) on the true load



curve (264-lbf direct load). Through this point draw a vertical line to intersect the actual gage load curve. Through this point of intersection draw a horizontal line to the left-hand or right-hand load scale and read the actual gage load value. Record this actual gage load for run-in on a suitable reporting form.

NOTE 7—A suitable reporting form for Test Methods A and B, and data obtained on one of the reference fluids by one of the cooperating laboratories, is shown in Table 3. Fig. 6 shows the calibration curves used by the laboratory reporting the data in Table 3.

**12. Procedure**

**12.1 Run-In:**

12.1.1 Turn on “Heat Control” switch and heat test lubricant to 120 ± 5°F (51.7 ± 3°C); then turn off the switch.

12.1.2 Remove slack from assembly by moving the ratchet wheel by hand. At this setting the torque gage should read zero, or be adjusted to zero.

12.1.3 Actuate the motor, engage the automatic loading ratchet, and increase the load to a gage load equivalent to 300-lbf (1334-N) true load (264-lbf direct load), as determined in 8.1. Disengage the loading ratchet, start the timer, and allow the machine to run at this loading for a 5-min run-in period.

NOTE 8—Maintain load at near constant by taking up the load manually or automatically by means of the ratchet wheel if necessary.

**12.2 Test:**

12.2.1 Re-engage the automatic loading ratchet and leave it engaged until failure (Note 9) or until the highest indicated actual gage reading is reached. Stop the motor at failure or at the highest indicated actual gage load when no failure is

obtained. Record the gage load at failure. Record 4500 lbf (20 000 N) if no failure is obtained.

NOTE 9—Failure is indicated by (a) breakage of shear pin or test pin, or (b) inability to take up the load automatically by means of the ratchet wheel.

12.2.2 Using the calibration curves prepared in Sections 9 and 10, determine and record the true load failure equivalent to the actual gage load failure, or, if no failure, the true load equivalent to the highest indicated actual gage load, with a plus (+) sign after the true load value.

NOTE 10—To convert actual gage load to true load, locate the gage load on the actual gage load curve. Through this point draw a vertical line to intersect the true load curve. Through this point of intersection draw a horizontal line to the left-hand or right-hand load scale and read the true load value.

**TEST METHOD B**

**13. Determination of Actual Gage Load for Run-In and 250-lbf (1112-N) True Load Increments**

13.1 The procedure, Section 14, requires a run-in at an actual gage load equivalent to 300-lbf (1334-N) true load (264-lbf direct load), and testing at incremental gage loadings equivalent to 250-lbf (1112-N) true load (224-lbf direct load) over the range from 500 to 4500-lbf (2224 to 20 000-N) true load (412 to 2885-lbf direct load). Determine the equivalent actual gage loads as prescribed in Section 8, and Test Method A. Record on a suitable reporting form, such as shown in Table 3.

**TABLE 3 Suggested Report Form, Test Methods A and B, Showing Data**

Operator: <u>Laboratory A</u>			
Test Sample: <u>L-XI-1-2-E</u>			
Calibration Indentation Results:		500 lbf = <u>2.13</u> mm	1500 lbf = <u>3.53</u> mm
		1000 lbf = <u>2.90</u> mm	2000 lbf = <u>4.06</u> mm
Gage Type: _____			
TEST METHOD A			
Run-In: 5 min at <u>520</u> lbf actual gage load, equivalent to 300 lbf true load.			
		Actual Gage Load, lbf, at Failure	Equivalent True Load, lbf at Failure
Test No. 1		2600	2100
Test No. 2		2400	1925
TEST METHOD B			
Run-In: 5 min at <u>520</u> lbf actual gage load, equivalent to 300 lbf true load.			
True Load, lbf	Equivalent Actual Gage Load, lbf	Test No. 1	Test No. 2
500	800	pass	pass
750	1100	pass	pass
1000	1400	pass	pass
1250	1650	pass	pass
1500	1950	pass	pass
1750	2200	pass	fail
2000	2450	pass	
2250	2750	fail	
2500	3000		
2750	3200		
3000	3400		
3250	3700		
3500	3900		
3750	4150		
4000	4350		
4250			
4500			

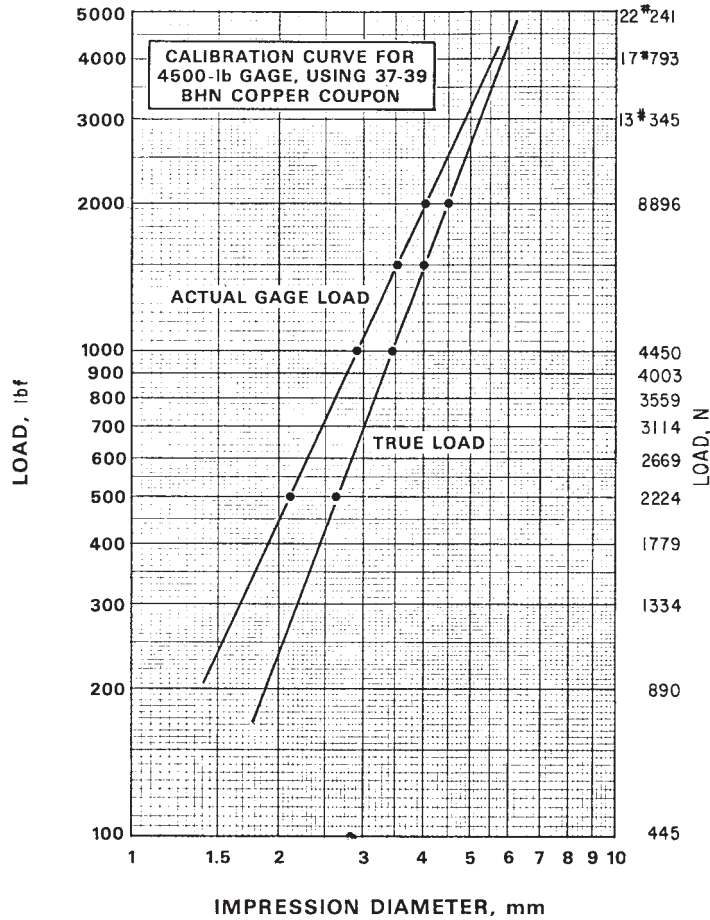


FIG. 6 Calibration Curves Used by Laboratory Reporting Data Shown in Table 1

14. Procedure

14.1 Run-In—Use the same procedure as prescribed in 12.1, Test Method A.

14.2 Test:

14.2.1 Re-engage the automatic loading ratchet and leave it engaged until the actual gage reading is equivalent to 500-lbf (2224-N) true load (412-lbf direct load), as determined in Section 13. Run for 1 min at this loading.

NOTE 11—Maintain load at near constant at this load and at subsequent incremental loading by taking up the load by means of the ratchet wheel when necessary.

NOTE 12—Keep the motor running after run-in and throughout subsequent loadings.

14.2.2 Increase actual gage loads in the increments equivalent to 250-lbf (1112-N) true load (224-lbf direct load), as determined in Section 13, running for 1 min at each increment loading. Record the load at which failure occurs (Note 14, Note 15). If no failure is obtained, record the last load run with a plus (+) sign after the value.

NOTE 13—Failure is indicated by (a) breakage of shear pin or test pin, or (b) inability to increase or maintain load by means of the ratchet wheel.

NOTE 14—If failure occurs during run-up between load increments, record the higher increment load as fail.

14.2.3 Determine and record the true load failure equivalent as described in 12.2.2.

TEST METHODS A AND B

15. Report

15.1 Report the true load value at which failure occurred.

15.2 If no failure is obtained, report the last true load run, with a plus (+) sign after the value.

16. Precision and Bias

16.1 The precision of these test methods as determined by statistical examination of interlaboratory results is as follows (see Note 15):

16.1.1 Repeatability—The difference between two test results, obtained by the same operator with the same apparatus under constant operating conditions on identical test material, would in the long run, in the normal and correct operation of the test method, exceed the following values only in one case in twenty:

Test Method A, 27 % of the mean  
 Test Method B, 24 % of the mean

16.1.2 Reproducibility—The difference between two, single and independent results obtained by different operators working in different laboratories on identical test material would, in the long run, in the normal and correct operation of the test method, exceed the following values only in one case in twenty:

Test Method A, 40 % of the mean  
Test Method B, 43 % of the mean

16.2 *Bias*—The procedure in this test method has no bias because the value of the Falex Extreme Pressure Failure Load can be defined only in terms of a test method.

NOTE 15—The precision data were derived from results of cooperative

tests on L-XI-1-2-A, B, C, D, and E, covered in Table 1 and Table 2. These are the same reference fluids used and described in Test Method D 2783.

## **17. Keywords**

17.1 extreme pressure; Falex Pin and Vee Block; load-carrying; lubricant; wear

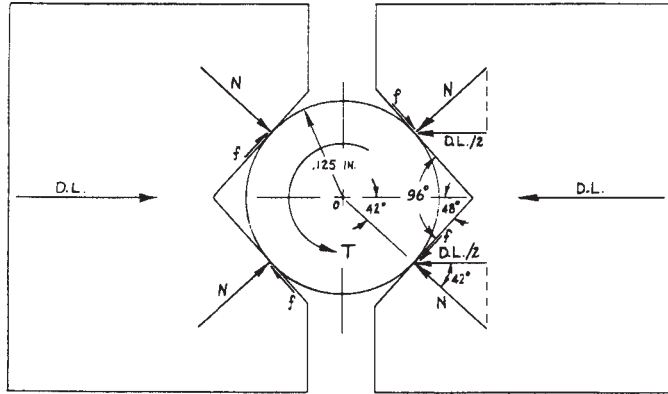
## **APPENDIX**

**(Nonmandatory Information)**

### **X1. COEFFICIENT OF FRICTION CALCULATION AND LOAD GAGE CONVERSIONS**

X1.1 See Figs. X1.1-X1.3.





D.L. = DIRECT LOAD, LBS.  
 T = TORQUE, IN. LBS.  
 N = NORMAL LOAD PER FACE, LBS.  
 u = COEFFICIENT OF FRICTION  
 $M_o$  = SUMMATION OF MOMENTS ABOUT POINT "O"  
 f = FRICTION FORCE

$M_o = 0 = T - (4F \times 0.125)$   
 $f = T / (4 \times 0.125)$   
 $f = 2T$

$D.L./2 = N \times \cos 42^\circ$   
 $N = D.L. / (2 \times \cos 42^\circ)$   
 $N = 0.672816 \text{ D.L.}$

$u = f/N = 2T / (0.672816 \times D.L.)$   
 $u = 2.9726 \text{ T/D.L.}$

FIG. X1.1 Falex #0 Pin and Vee Block Coefficient of Friction Calculation

(From Load Gage Calibration Curve 12/15/85)  
 FROM 800# OR 3000# GAGES TO 4500# GAGE

Direct Load 800# or 3000# Gage Reading	Equivalent Load on 4500# Reference Gage	Contact Load (Normal) per Vee Block Face	Brinell Impression Diameter (mm)
200	220	134.56	1.92
250	283	168.20	2.12
300	350	201.85	2.28
400	482	269.13	2.58
500	620	336.41	2.85
600	765	403.69	3.09
700	900	470.97	3.29
705	910	474.34	3.30
750	975	504.61	3.39
800	1050	538.25	3.49
1000	1355	672.82	3.83
1100	1500	740.10	4.00
1250	1750	841.02	4.24
1500	2140	1009.22	4.59
1700	2465	1143.79	4.84
1750	2540	1177.43	4.90
2000	2970	1345.63	5.20
2250	3400	1513.84	5.48
2500	3825	1682.04	5.73
2750	4280	1850.25	5.98
3000	4700	2018.45	6.20

4500# Reference Gage Reading	Equivalent Load on 800# or 3000# Gage	Contact Load (Normal) per Vee Block Face	Brinell Impression Diameter (mm)
250	224	150.71	2.01
300	264	177.62	2.16
350	300	201.85	2.28
500	412	277.20	2.62
750	590	396.96	3.06
910	705	474.34	3.30
1000	765	514.71	3.42
1250	930	625.72	3.73
1500	1100	740.10	4.00
1750	1250	841.02	4.24
2000	1410	948.67	4.47
2250	1555	1046.23	4.68
2500	1720	1157.24	4.88
2750	1870	1258.17	5.04
3000	2015	1355.73	5.22
3250	2155	1449.92	5.39
3500	2315	1557.57	5.53
3750	2450	1648.40	5.69
4000	2600	1749.32	5.82
4250	2740	1843.52	5.96
4500	2885	1941.08	6.09

FIG. X1.2 Contact Load (Normal) per Vee Block Face and Typical Falex Load Gage Conversions

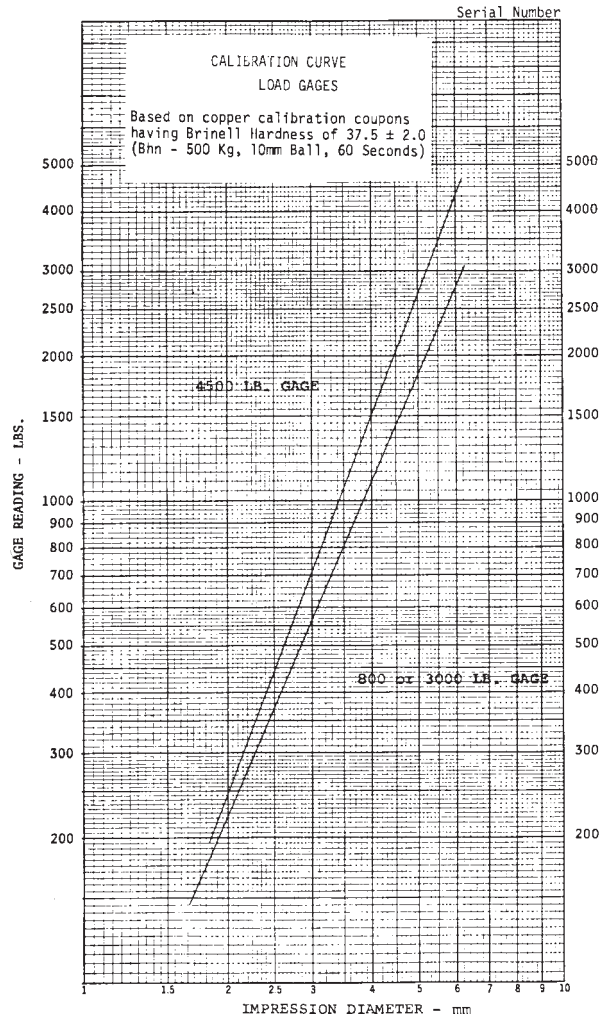


FIG. X1.3 Calibration Curve Falex Load Gages

ASTM International takes no position respecting the validity of any patent rights asserted in connection with any item mentioned in this standard. Users of this standard are expressly advised that determination of the validity of any such patent rights, and the risk of infringement of such rights, are entirely their own responsibility.

This standard is subject to revision at any time by the responsible technical committee and must be reviewed every five years and if not revised, either reapproved or withdrawn. Your comments are invited either for revision of this standard or for additional standards and should be addressed to ASTM International Headquarters. Your comments will receive careful consideration at a meeting of the responsible technical committee, which you may attend. If you feel that your comments have not received a fair hearing you should make your views known to the ASTM Committee on Standards, at the address shown below.

This standard is copyrighted by ASTM International, 100 Barr Harbor Drive, PO Box C700, West Conshohocken, PA 19428-2959, United States. Individual reprints (single or multiple copies) of this standard may be obtained by contacting ASTM at the above address or at 610-832-9585 (phone), 610-832-9555 (fax), or service@astm.org (e-mail); or through the ASTM website (www.astm.org).